

## Class P, UL Listed, High Efficiency Constant Current LED Driver for Universal Dimming Applications

### Features and Benefits

- Class 2, UL 8750 Listed Class P metal case, IP62 rated
- High efficiency 90-93%
- Very high-power density
- Dual dimming (120VAC only for phase dimming), works with most dimmers, triac (forward phase), ELV (reverse phase) and 0-10V
- Universal input 120-277VAC
- Life expectancy of 50,000 hours at  $T_{mp} \leq 75^{\circ}\text{C}$
- Output open/short circuit protection



PS98-2450C-DUALDIM-UNV-P Series

### Compatible LED Modules

Nominal DC Output to Module ..... See Table 1

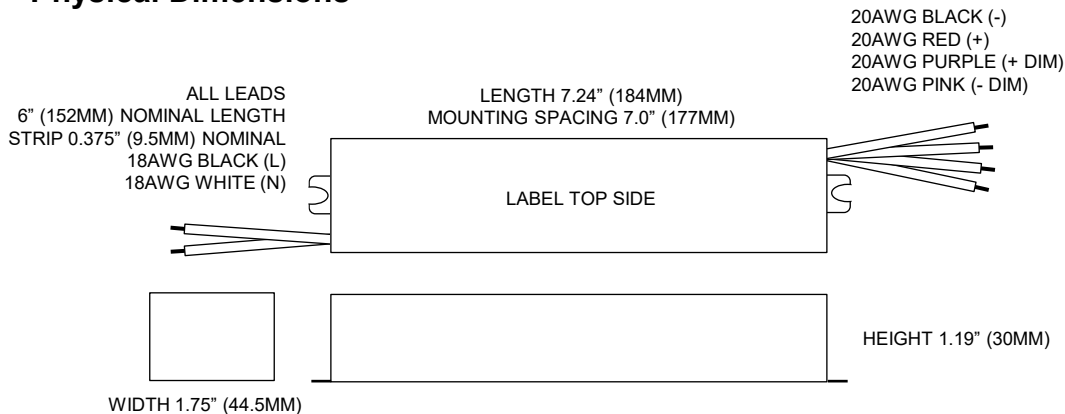
### Ratings and Performance Specifications

Nominal Power Consumption @ 120VAC .....	See Table 1
Nominal Input Voltage .....	120-277VAC
Maximum Driver Case Temperature @ designated $T_{mp}$ .....	+75°C
Maximum Operating Range Ambient Temperature ( $T_a$ ) .....	-30 to +50°C
Recommended Screw Installation Torque .....	75 inch ounces
Nominal Power Factor .....	> 0.9
Nominal Weight .....	570 grams
Safety/Compliance .....	UL E256805

### Application Notes

1. The proper driver case temperature at designated ( $T_{mp}$ ) is critical to ensure proper performance and long life. Careful design consideration required for factors such as ambient conditions (for example weather and surrounding atmosphere inside luminaire) and proximity to heat generating components.
2. Abnormal operating conditions such as elevated ambient temperatures can be expected to negatively impact output, product lifetime and/or product performance.
3. Dims only at 120VAC with most triac dimmers such as Lutron® Diva and Maestro. Complete list of compatible dimmers and application notes available.

## Physical Dimensions



**Table 1, Performance Characteristics at 25°C**

Part Number	Max	Nominal	Dimming		Nominal	Output	Efficiency @120VAC Max Load
	Output Power (DCW)	Input Voltage (VAC)	Triac & ELV (VAC)	Dimming 0-10V (VAC)	Output Current (mADC)	Voltage Range (VDC)	
PS98-2450C-DUALDIM-UNV-P	98	120-277	120 (only)	120-277	2450	20-40	90-93%
PS98-2450C-DUALDIM-UNV-P-2100MA	84	120-277	120 (only)	120-277	2100	20-40	90-93%
PS98-2450C-DUALDIM-UNV-P-1750MA	70	120-277	120 (only)	120-277	1750	20-40	90-93%
PS98-2450C-DUALDIM-UNV-P-1400MA	56	120-277	120 (only)	120-277	1400	20-40	90-93%
PS98-2450C-DUALDIM-UNV-P-1050MA	42	120-277	120 (only)	120-277	1050	20-40	90-93%

Contact Forzlux for complete list of compatible dimmers and application notes

## Packaging

Product is marked with SKU and lot information.

Sold in groups of (TBD) unit(s) and packaged with SKU and lot information.

## Warranty

5-Year limited warranty in accordance with published warranty conditions. Product must be used with compatible components (modules, drivers, engines and/or accessories) and no maximum ratings (such as Tmp) shall be exceeded during any operating conditions of the system. If product is used with other manufacturer's product, compatibility must be recognized in writing by Forzlux.

Forzlux owns the following United States patents of which may be applicable to the design or manufacture of this product: 6712486, 6578986, 6846093, 7114831, 7306353, 7102172, 7108396, 7329024, 7387406, 7582911, 7649327, 8926145, 8729810. Additional granted patents, patents pending and other IP protection rights may apply.