

Class P, UL Listed Compact LED Driver for Universal Dimming Applications

Features and Benefits

- High efficiency constant current driver in compact white plastic case reduces shadows in luminaire
- Class 2, UL 8750 listed Class P plastic case, IP62 rated
- 75% volume of previous PS14 driver
- Dimming < 5% (120VAC only) with triac/incandescent (forward phase) dimmers
- Dimming < 5% with 0-10V dimmers
- UNV input 120-277VAC
- World class efficiency for this power range
- Available in three outputs: 150mA, 250mA and 350mA



PS14-350C-DUALDIM-UNV-PP Series

Compatible LED Modules

Nominal DC Output to Module See Table 1

Ratings and Performance Specifications

Nominal Power Consumption @ 120VAC	See Table 1
Nominal Input Voltage	See Table 1
Maximum Driver Case Temperature @ designated Tmp	+75°C
Maximum Operating Range Ambient Temperature (Ta)	-30 to +50°C
Recommended Screw Installation Torque	75 inch ounces
Nominal Power Factor	> 0.9
Nominal Weight	85 grams
Safety/Compliance	UL E256805
Designed to meet FCC Part 15B and Class A sound rating < 24dBA	
Designed to comply with IEEE C.62.41-1991, Class A operation	

Application Notes

1. The proper driver case temperature at designated (T_{mp}) is critical to ensure proper performance and long life. Careful design consideration required for factors such as ambient conditions (for example weather and surrounding atmosphere inside luminaire) and proximity to heat generating components.
2. Abnormal operating conditions such as elevated ambient temperatures can be expected to negatively impact output, product lifetime and/or product performance.
3. Dims only at 120VAC with most triac dimmers such as Lutron® Diva and Maestro. Complete list of compatible dimmers and application notes available.

Physical Dimensions

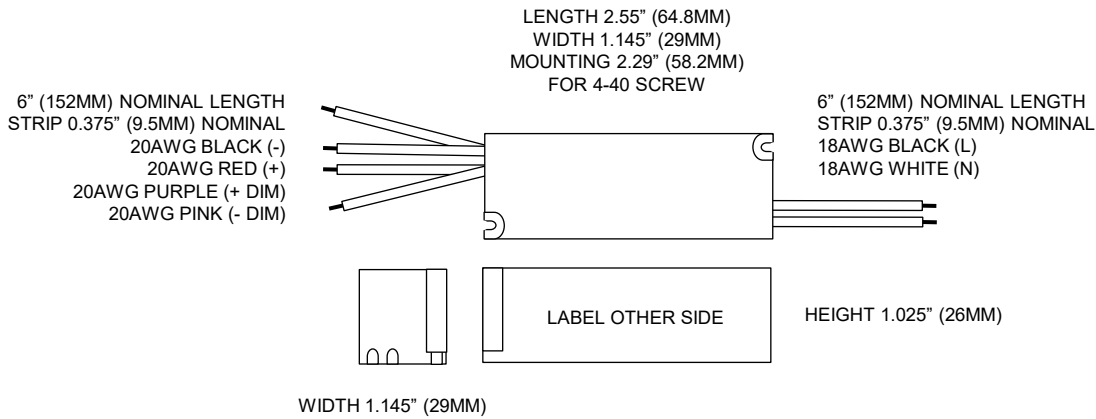


Table 1, Performance Characteristics at 25°C

Part Number	Maximum Output Power (DCW)	Nominal Input Voltage (VAC)	Dimming with		Nominal Output Current (mADC)	Output Voltage Range (VDC)	Efficiency @ 120VAC, Max Load
			Triac & ELV Dimmers (VAC)	Dimming with 0-10V Dimmers			
PS14-350C-DUALDIM-UNV-PP	14	120-277	120VAC (only)	120-277VAC	350	20 - 40	84%
PS10-250C-DUALDIM-UNV-PP	10	120-277	120VAC (only)	120-277VAC	250	20 - 40	84%
PS6-150C-DUALDIM-UNV-PP	6	120-277	120VAC (only)	120-277VAC	150	20 - 40	84%

Contact Forzlux for complete list of compatible dimmers and application notes

Packaging

Product is marked with SKU and lot information.
 Sold in groups of (1) unit(s) and packaged with SKU and lot information.

Warranty

5-Year limited warranty in accordance with published warranty conditions. Product must be used with compatible components (modules, drivers, engines and/or accessories) and no maximum ratings (such as Ts) shall be exceeded during any operating conditions of the system. If product is used with other manufacturer's product, compatibility must be recognized in writing by Forzlux.

Forzlux owns the following United States patents of which may be applicable to the design or manufacture of this product: 6712486, 6578986, 6846093, 7114831, 7306353, 7102172, 7108396, 7329024, 7387406, 7582911, 7649327, 8926145, 8729810. Additional granted patents, patents pending and other IP protection rights may apply.