

Small Square Format High Output Module For Point Source Applications

Features and Benefits

- 0.88" square module for applications such as landscape, pathway, step, and pendants where a directed beam is required
- Accepts off-the-shelf Ledil "LISA" optic
- **TFA (Turtle Friendly Amber)** version is AlInGaP LED with narrow wavelength, Florida Wildlife Commission (FWC) compliant
- Pre-wired pigtailed are mechanically robust and reduce labor
- 4 holes for #4 size mounting screws
- Protective conformal (transparent) coating for exterior applications
- Compatible with Forzlux drivers:
 - PS11 Series low voltage 12VAC landscape
 - PS3-350C Series 120VAC ELV/triac dimmable
 - PS6-350C Series 120-277VAC, ELV/triac, 0-10V dimmable



BB01CK SERIES

Compatible LED Drivers

Recommended Maximum DC Input Current to Module	See Table 1
Typical DC input Voltage to Module	See Table 1

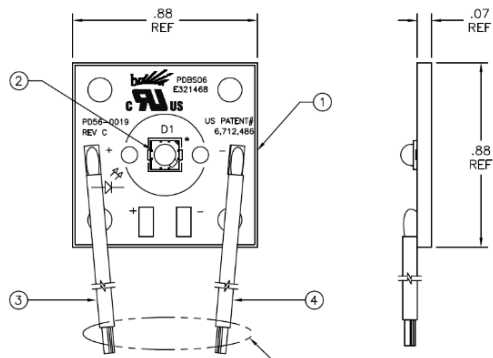
Ratings and Performance Specifications

Nominal DC Power Consumption	See Table 1
Recommended Screw Installation Torque	75 inch ounces
Maximum Operating Range Ambient Temperature (Ta)	-40 to +50°C
Maximum Solder Pad Temperature (Ts)	+105°C
Estimated Lumen Depreciation (TM-21)	70% initial lumens (L70) @ 100,000 hours
Nominal Weight	7 grams
Safety/Compliance UL Class 2 Recognized Component	E321468

Application Notes

1. The use of any washer (lock, flat, etc.), will void the warranty due to possible damage and/or shorting of LED and/or circuit board.
2. This module requires heatsinking at full power. The luminaire design should allow heat to escape the system. Forzlux provides thermal testing of light engines in the luminaire for OEM customers to ensure long life and compliance with warranty.
3. Abnormal operating conditions such as elevated ambient temperatures can negatively impact lumen output, product lifetime and/or performance.

Physical Dimensions



Entire top of module is conformal coated with Humiseal 1B31 or equivalent

white/red (+), gray (-)
 2" nominal length leads, 20AWG, strip ends 0.063"
 Ts measurement point is cathode of LED

4 mounting holes for #4 screw size
 0.115" diameter, center-to-center hole spacing 0.625".
 Use panhead or similar screw, do not use wood or flat head screw.

Table 1, Performance Characteristics at 25°C

Data from laboratory test measurements, actual results may vary.

Part Number	Typical CCT/DWL (Kelvin/nm)	Min CRI	Max Current (ADC)	Typical VF (VDC)	Typical Power (WDC)	Typical Lumens	Typical Efficacy (DC LPW)
BB01CK-18-70-01	1800	70	0.35	2.9	1.0	118	117
BB01CK-20-70-01	2000	70	0.35	2.9	1.0	130	128
BB01CK-22-80-01	2200	80	0.35	2.9	1.0	130	129
BB01CK-25-80-01	2500	80	0.35	2.9	1.0	135	133
BB01CK-27-80-01	2700	80	0.35	2.9	1.0	147	145
BB01CK-30-80-01	3000	80	0.35	2.9	1.0	150	148
BB01CK-35-80-01	3500	80	0.35	2.9	1.0	153	151
BB01CK-40-80-01	4000	80	0.35	2.9	1.0	159	156
BB01CK-50-80-01	5000	80	0.35	2.9	1.0	160	158
BB01CK-65-80-01	6500	80	0.35	2.9	1.0	160	157
BB01CK-TFA-01	595	n/a	0.35	2.2	0.8	78	102
BB01CK-RED-01	622	n/a	0.35	2.2	0.8	73	94
BB01CK-GREEN-01	527	n/a	0.35	3.4	1.2	120	101
BB01CK-BLUE-01	470	n/a	0.35	2.9	1.0	37	36

Options and Packaging

90CRI minimum versions on special order, 83% of 80CRI lumens.

Sold in groups of (130) unit(s) and packaged in ESD bags with SKU and lot information.

Warranty

5-Year limited warranty in accordance with published warranty conditions. Product must be used with compatible components (modules, drivers, engines and/or accessories) and no maximum ratings (such as Ts) shall be exceeded during any operating conditions of the system. If product is used with other manufacturer's product, compatibility must be recognized in writing by Forflux.

Forflux owns the following United States patents of which may be applicable to the design or manufacture of this product: 6712486, 6578986, 6846093, 7114831, 7306353, 7102172, 7108396, 7329024, 7387406, 7582911, 7649327, 8926145, 8729810. Additional granted patents, patents pending and other IP protection rights may apply.